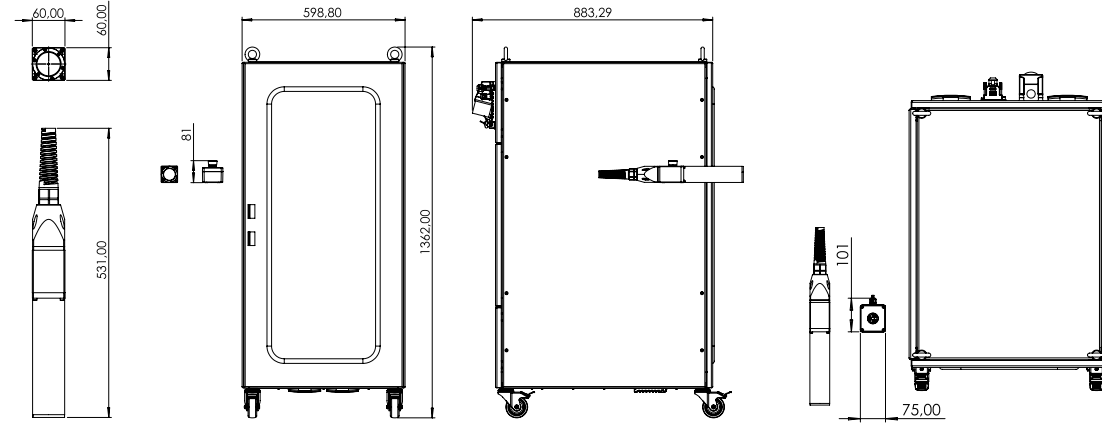


BiDiLase
The CodeMaster



Voltage	3 phases + PE 400VAC 4.5KVA
Wavelength	975nm
Power	Power up to 240W
Print Height	up to 13.6mm
Number of dots	up to 35
Cooling	Water
Interface	Marca Software v.5.7.8
Software	Scanlinux v.5.5.6
Dimensions (WxDxH)	Rack 600x800x1200 Printhead 60x391x60 Umbilical up to 25cm
Weight	250Kg
System	Stainless Steel Rack (diode array, power and control modules) Umbilical (fiber optic) Integrable Printhead (optics)
Environmental conditions	Temperature 15°C (59°F) – 40°C (104°F) Humidity 10% - 95%



BiDiLase by Macsa

T. 93 873 87 98
macsa@macsa.com
www.macsa.com



Macsa ID Headquarter
P.I. Pla de Santa Anna
08272 Sant Fruitós de
Bages (Barcelona)
Tel: +34 938 738 798
Spain

Macsa ID UK
13d Old Bridge Way
Shefford
Bedfordshire
SG175HQ
Tel: +44 (0)1462 816091
UK

Macsa ID Portugal
Rua Eng. Frederico Ulrich n. 2650.
4470 - 605 Moreira Maia
Tel: +351 229962204
Portugal

Macsa ID Malaysia
E-8-03, The Gamuda Biz Suites
No.12, Jalan Anggerik Vanilla 31/99,
Kota Kemuning,
40460 Shah Alam
Selangor
Malaysia

Macsa Coding Technology (shenzhen) Co, Ltd
East side of 2/F, 7 Building
Lijincheng Technology Industry Park
Jihua Road
Longhua Street, Longhua District
518100 Shenzhen
Tel: +86 0755-23611591
China

Macsa id
a code you can trust

Macsa id
a code you can trust

BiDiLase
The CodeMaster

SO FAST
SO SMART
SO MACSA

The fastest laser coder in the market
for your smart packaging needs

BiDiLase by Macsa
www.bidilase.com



BiDiLase, THE CODEMASTER THAT OTHERS CANNOT KEEP UP WITH

Macsa offers a complete solution that provides a unique passport to each package.

BiDiLase is the most innovative and disruptive laser solution for coding and marking in the world for its:

 **UNRIVALLED SPEED**
More than 100 QR codes per second

It is the fastest laser in the world with a speed of 1000m/min. It can code faster than any production line need.

 **SERIALIZATION**
UNIQUE QR codes

Personalise your brand experience with unique QR codes for each and every one of your end consumers thanks to Integra Promo&Serialization software.

 **PERFECT QUALITY**
Class A high definition

High definition and microprecision without loss of quality and without the issues related to ink devices.

 **PREMIUM SCANNABILITY**
Flawless readability

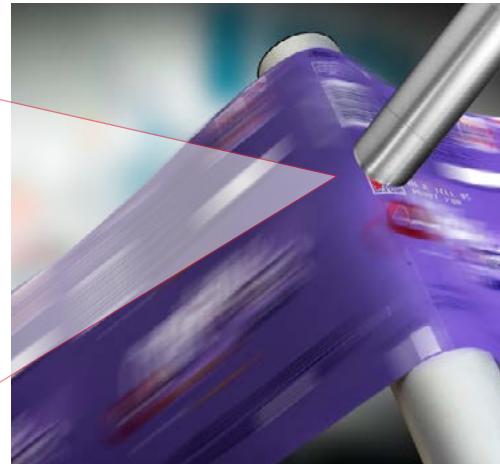
Smartphone optimized dot size provides your users with the optimum 2D Codes readability.



SCAN & BE INFORMED



(01) 10012345678902
(10) MDL200841432T
(11) 200324
(17) 240324



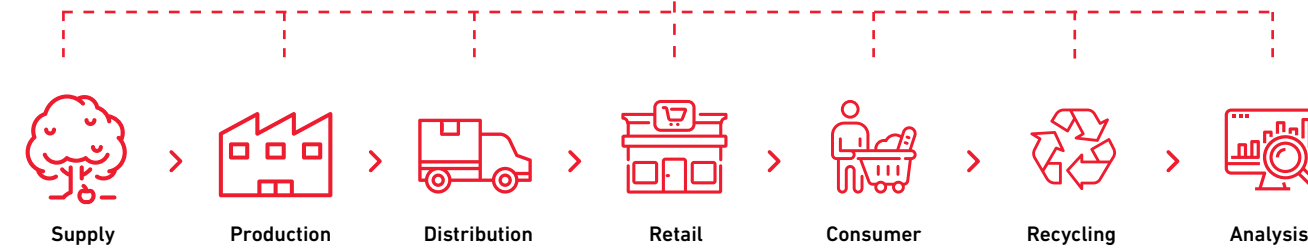
BiDiLase, YOUR PARTNER FOR SMART PACKAGING

BiDiLase provides each product with a unique QR/DM code that enables interaction throughout the complete value chain



Enabling **TRACEABILITY** from production to end customer

Allowing consumer **ENGAGEMENT** through promotions, nutritional information, games, etc.



If that wasn't enough, BiDiLase offers all of the advantages of Macsa laser technology



1. NO CONSUMABLES
A clean technology that does not produce waste.

3. CLEAN
For a cleaner and healthier workspace.

2. ENVIRONMENTALLY FRIENDLY
It does not generate harmful emissions, which benefits the work environment and the planet.

4. ENERGY EFFICIENT
Maximum quality and coding speed with just the right amount of energy.



Supported by



integrapromos&serialization

Software to generate UNIQUE codes at super high speed.